

VS F&G M22 F (785 281)

- For use with AK SD ... operating heads
- With safety plug-in system
- UV-resistant



Figure without obligation

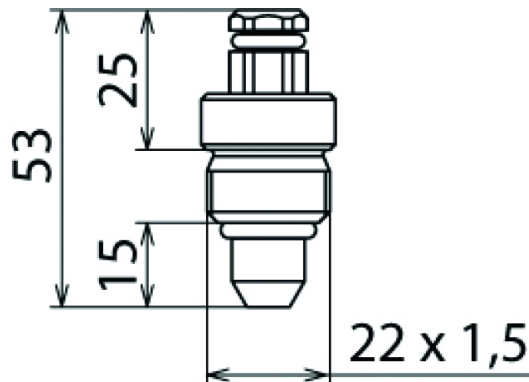


Figure without obligation

Type	VS F&G M22 F
Part No.	785 281
Nominal voltage (U _N)	Up to 36 kV
Dimensions	M22 x 55 mm
Manufacturer of the cable sealing end	F & G
Shape of the cable sealing end	F1 ; F2
Thread size	M22 x 1.5
Length	55
PU	12 pc(s)
Use	Not suitable for use in wet weather conditions
Weight	15 g
Customs tariff number (Comb. Nomenclature EU)	85359000
GTIN	4013364095724
PU	10 pc(s)

We reserve the right to introduce changes in performance, configuration and technology, dimensions, weights and materials in the course of technical progress. The figures are shown without obligation.

Special screw plugs for cable sealing ends from other manufacturers are available on request.