

VS KOET M10 (785 282)

- For use with AK SD ... operating heads
- With safety plug-in system
- UV-resistant



Figure without obligation

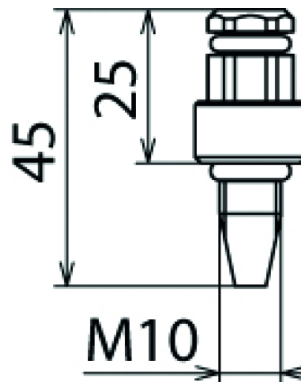


Figure without obligation

Type	VS KOET M10
Part No.	785 282
Nominal voltage (U _N)	Up to 36 kV
Dimensions	M10 x 45 mm
Manufacturer of the cable sealing end	Köttgen
Shape of the cable sealing end	F3 ; F4
Thread size	M10
Length	45
PU	12 pc(s)
Use	Not suitable for use in wet weather conditions
Weight	7 g
Customs tariff number (Comb. Nomenclature EU)	85359000
GTIN	4013364095731
PU	12 pc(s)

We reserve the right to introduce changes in performance, configuration and technology, dimensions, weights and materials in the course of technical progress. The figures are shown without obligation.

Special screw plugs for cable sealing ends from other manufacturers are available on request.