

VS RAY M14 (785 283)

- For use with AK SD ... operating heads
- With safety plug-in system
- UV-resistant



Figure without obligation

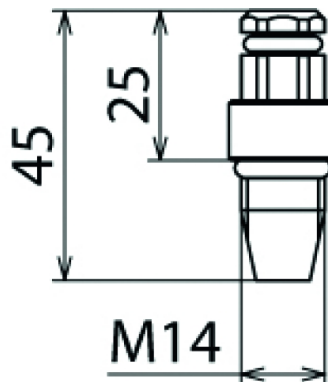


Figure without obligation

Type	VS RAY M14
Part No.	785 283
Nominal voltage (U _N)	Up to 36 kV
Dimensions	M14 x 45 mm
Manufacturer of the cable sealing end	Raychem
Shape of the cable sealing end	F5
Thread size	M14
Length	45
PU	12 pc(s)
Use	Not suitable for use in wet weather conditions
Weight	8 g
Customs tariff number (Comb. Nomenclature EU)	85359000
GTIN	4013364095748
PU	12 pc(s)

We reserve the right to introduce changes in performance, configuration and technology, dimensions, weights and materials in the course of technical progress. The figures are shown without obligation.

Special screw plugs for cable sealing ends from other manufacturers are available on request.