

## DSRT DD CPS BACA (782 030)



Figure without obligation

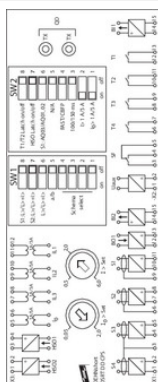
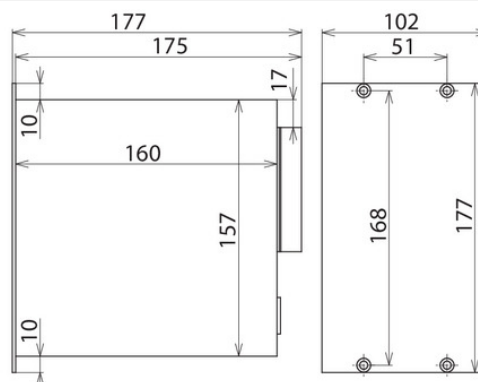


Figure without obligation



DSRT DD CPS .... detection device for current and light detection (DSRT PS point sensors) including output for directly connecting two DSRT QD quenching devices.

Type	DSRT DD CPS BACA
Part No.	782 030
Min. / max. voltage ( $U_N$ )	18-72 V d.c.
Degree of protection (front side)	IP 50
Degree of protection (rear side)	IP 20
Dimensions of the front plate (H x W)	177 x 102 mm
Mounting dimensions (H x W x D)	157 x 82 x 164 mm
Sensor inputs	S1, S2, S3, S4 (3 sensors (DSRT PS) can be connected per channel)
Current inputs	1 A / 5 A (IL1, IL2, IL3, IL4)
Binary inputs	24 V d.c., 3 mA (BI1, BI2)
Tripping relay	Up to 250 V a.c./d.c. 5 A (T1, T2, T3, T4)
High-speed outputs	Up to 250 V a.c./d.c. 2 A (HS01, HS02)
Quenching device outputs	Optical fibre cable (at least 43 mA) (2x TX)
Binary output	24 V d.c. 20 mA (B01)
Operating temperature ( $T_u$ )	-35 °C ... +70 °C
Tripping time of the relay	7 ms
Tripping time HSO	< 2 ms
Tripping time TX	< 2 ms
Arc fault quenching time	< 2-3 ms with DSRT QD / < 3-4 ms with DSRT QD II
Approvals	VdS
Weight	1,19 kg
Customs tariff number (Comb. Nomenclature EU)	85364900
GTIN	4013364245792
PU	1 pc(s)

We reserve the right to introduce changes in performance, configuration and technology, dimensions, weights and materials in the course of technical progress. The figures are shown without obligation.