

DSRT DD PS AACA (782 041)



Figure without obligation

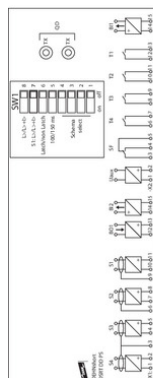
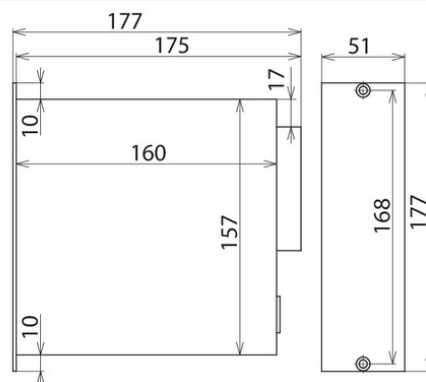


Figure without obligation



DSRT DD PS detection device for light detection (DSRT PS point sensors) including output for directly connecting two DSRT QD quenching devices.

Type	DSRT DD PS AACA
Part No.	782 041
Min. / max. voltage (U_N)	80-265 V a.c.
Degree of protection (front side)	IP 50
Degree of protection (rear side)	IP 20
Dimensions of the front plate (H x W)	177 x 52 mm
Mounting dimensions (H x W x D)	157 x 45 x 164 mm
Sensor inputs	S1, S2, S3, S4 (3 sensors (DSRT PS) can be connected per channel)
Binary inputs	24 V d.c., 3 mA (BI1, BI2)
Tripping relay	Up to 250 V a.c./d.c. 5 A (T1, T2, T3, T4)
Quenching device outputs	Optical fibre cable (at least 43 mA) (2x TX)
Binary output	24 V d.c. 20 mA (B01)
Operating temperature (T_U)	-35 °C ... +70 °C
Tripping time of the relay	7 ms
Tripping time TX	< 2 ms
Arc fault quenching time	< 2-3 ms with DSRT QD / < 3-4 ms with DSRT QD II
Approvals	VdS
Weight	784 g
Customs tariff number (Comb. Nomenclature EU)	85364900
GTIN	4013364245839
PU	1 pc(s)

We reserve the right to introduce changes in performance, configuration and technology, dimensions, weights and materials in the course of technical progress. The figures are shown without obligation.