

DSRT PS (782 060)



Figure without obligation

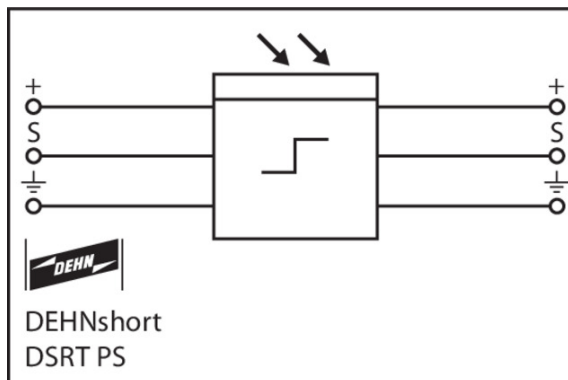


Figure without obligation

DSRT PS point sensor for arc detection. Serial connection of max. 3 sensors at each sensor input of DSRT DD CPS and DSRT DD PS devices.

Type	DSRT PS
Part No.	782 060
Dimensions (L x W x H)	90 x 32.8 x 19.5 mm
Fixing holes	2x 3.2 mm
Lower response threshold (I_{parc})	5 kA
Detection radius	90° (180°)
Max. distance to the arc fault	max. 2 m (0.5 m)
Sensor wiring	Two cores and shielding
Sensor cable specification	Twisted pair max. 0.75 mm ² , shielded
Max. sensor cable length per sensor cable	100 m
Degree of protection	IP 60
Operating temperature (T_u)	-20 °C ... +85 °C
Approvals	VdS
Weight	27 g
Customs tariff number (Comb. Nomenclature EU)	85364900
GTIN	4013364245860
PU	1 pc(s)

We reserve the right to introduce changes in performance, configuration and technology, dimensions, weights and materials in the course of technical progress. The figures are shown without obligation.