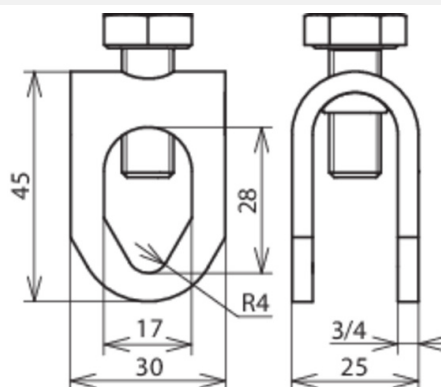




FSK 8.10 16 SKM10X25 STTZN (380 020)



Figure without obligation



Application note:

Lengthwise connection of all conductor materials, crosswise connection (ohne Einfädeln) nur für St/tZn und NIRO (Rd 8-10)

Type	FSK 8.10 16 SKM10X25 STTZN
Part No.	380 020
Material of clamp	St/tZn
Clamping range Rd / Rd	8-10 / 16 mm
Screw	● M10 x 25 mm
Material of screw	St/tZn
Standard	EN 62561-1
Weight	86 g
Customs tariff number (Comb. Nomenclature EU)	85389099
GTIN	4013364066373
PU	50 pc(s)

We reserve the right to introduce changes in performance, configuration and technology, dimensions, weights and materials in the course of technical progress. The figures are shown without obligation.