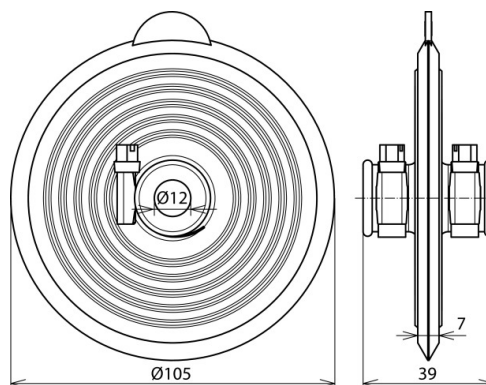


DM AF RD10 D105MM TPE (478 598)



Figure without obligation



Type	DM AF RD10 D105MM TPE
Part No.	478 598
Material	thermoplast elastomer
Diameter Ø	105 mm
Material of tensioning straps	StSt
Bushing Rd	10 mm
Standard	EN 62561-5
Pressure-water test	1 bar
Weight	120 g
Customs tariff number (Comb. Nomenclature EU)	40169300
GTIN	4013364158016
PU	10 pc(s)

We reserve the right to introduce changes in performance, configuration and technology, dimensions, weights and materials in the course of technical progress. The figures are shown without obligation.