



## EFPM M10 12 V4A MVK8.10 V2A (478 112)

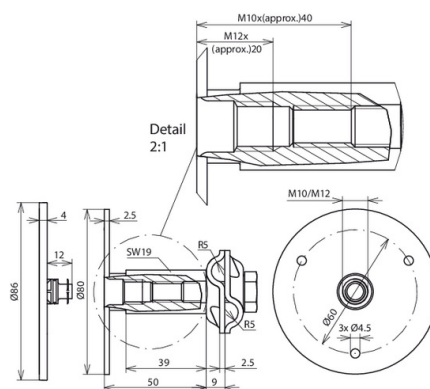


Figure without obligation

Type	EFPM M10 12 V4A MVK8.10 V2A
Part No.	478 112
Connection thread	M10 / M12
Material of plate	StSt (V4A)
Material No.	1.4571 / 1.4404 / 1.4401
ASTM / AISI:	316Ti / 316L / 316
Connection plate Ø	80 mm
Short-circuit current (50 Hz) (1 s; ≤ 300 °C)	9.3 kA
Standard	EN 62561-1
Minimum lengths of screws M10	35 mm (thread length 40 mm)
Minimum lengths of screws M12	15 mm (thread length 20 mm)
Weight	276 g
Customs tariff number (Comb. Nomenclature EU)	85389099
GTIN	4013364118140
PU	10 pc(s)

We reserve the right to introduce changes in performance, configuration and technology, dimensions, weights and materials in the course of technical progress. The figures are shown without obligation.