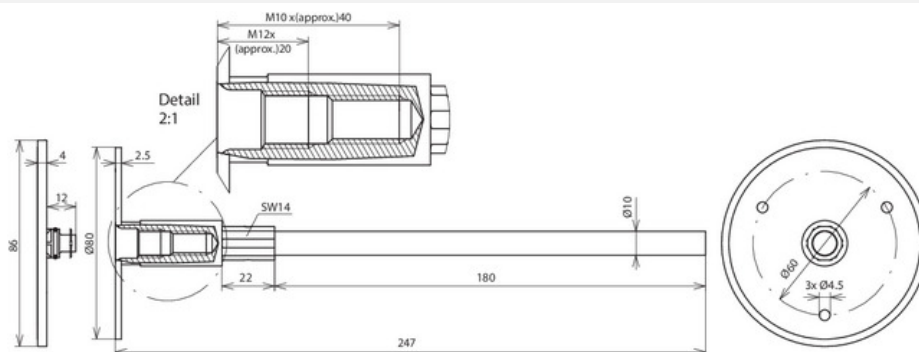




EFPM M10 12 V4A L245 VP STTZN (478 041)



Figure without obligation



Type	EFPM M10 12 V4A L245 VP STTZN
Part No.	478 041
Connection thread	M10 / M12
Material of plate	NIRO (V4A)
Material No.	1.4571 / 1.4404 / 1.4401
ASTM / AISI:	316Ti / 316L / 316
Material of axis	StZn
Connection plate Ø	80 mm
Dimension of connection axis (Ø / length)	10 / 180 mm
Short-circuit current (50 Hz) (1 s; ≤ 300 °C)	3.7 kA
Standard	EN 62561-1
Minimum lengths of screws M10	35 mm (thread length 40 mm)
Minimum lengths of screws M12	15 mm (thread length 20 mm)
Weight	304 g
Customs tariff number (Comb. Nomenclature EU)	85389099
GTIN	4013364105157
PU	10 pc(s)

Part No. 478 049 with UL approval.

We reserve the right to introduce changes in performance, configuration and technology, dimensions, weights and materials in the course of technical progress. The figures are shown without obligation.