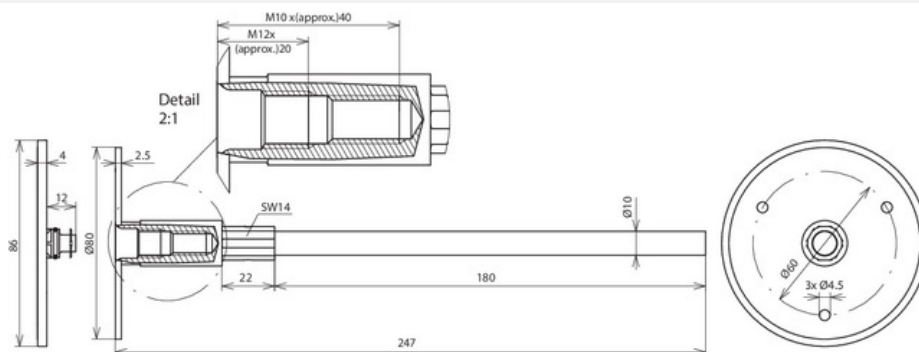




## EFPM M10 12 V4A L245 VP V2A (478 049)



Figure without obligation



Type	EFPM M10 12 V4A L245 VP V2A
Part No.	478 049
Connection thread	M10 / M12
Material of plate	StSt (V4A)
Material No.	1.4571 / 1.4404 / 1.4401
ASTM / AISI:	316Ti / 316L / 316
Material of axis	StSt
Connection plate Ø	80 mm
Dimension of connection axis (Ø / length)	10 / 180 mm
Short-circuit current (50 Hz) (1 s; ≤ 300 °C)	3.3 kA
Standard	EN 62561-1
Minimum lengths of screws M10	35 mm (thread length 40 mm)
Minimum lengths of screws M12	15 mm (thread length 20 mm)
Weight	303 g
Customs tariff number (Comb. Nomenclature EU)	85389099
GTIN	4013364105164
PU	10 pc(s)

Part No. 478 049 with UL approval.

We reserve the right to introduce changes in performance, configuration and technology, dimensions, weights and materials in the course of technical progress. The figures are shown without obligation.