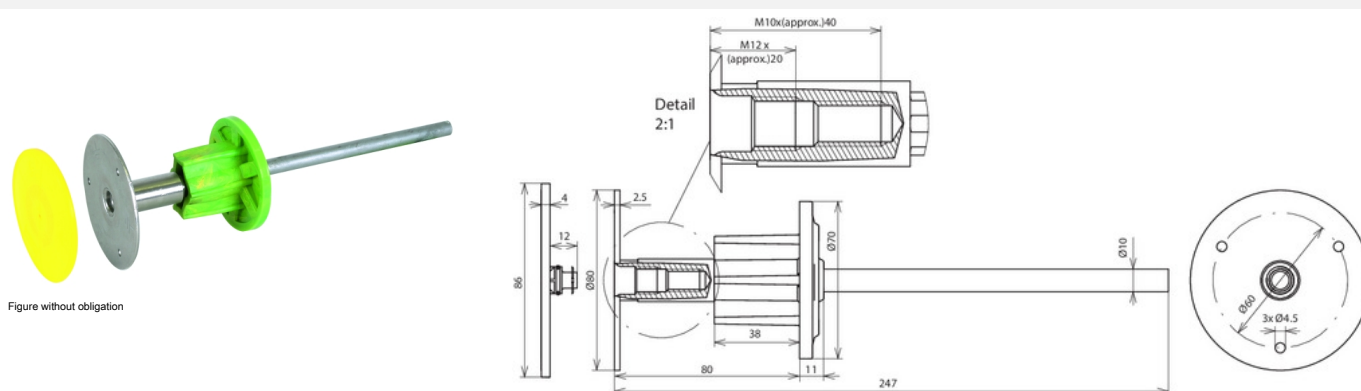




## EFPM M10 12 V4A WS L245 VP STTZN (478 051)



Against penetration of water along the axis into the wall (tested with 5 bar compressed air according to EN 62561-5 and 1 bar pressure water)

Type	EFPM M10 12 V4A WS L245 VP STTZN
Part No.	478 051
Connection thread	M10 / M12
Material of plate	StSt (V4A)
Material No.	1.4571 / 1.4404 / 1.4401
ASTM / AISI:	316Ti / 316L / 316
Material of axis	SttZn
Connection plate Ø	80 mm
Dimension of connection axis (Ø / length)	10 / 155 mm
Short-circuit current (50 Hz) (1 s; ≤ 300 °C)	3.7 kA
Material of water barrier	PVC
Standard	EN 62561-1
Minimum lengths of screws M10	35 mm (thread length 40 mm)
Minimum lengths of screws M12	15 mm (thread length 20 mm)
Weight	370 g
Customs tariff number (Comb. Nomenclature EU)	85389099
GTIN	4013364124448
PU	1 pc(s)

We reserve the right to introduce changes in performance, configuration and technology, dimensions, weights and materials in the course of technical progress. The figures are shown without obligation.