



(308030 Connector for lightning protection (EC000514))

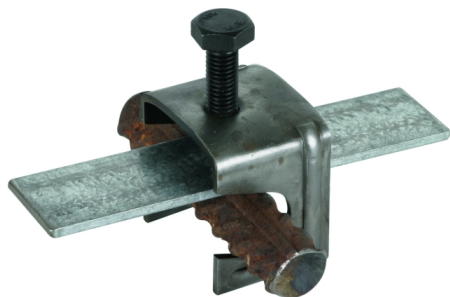
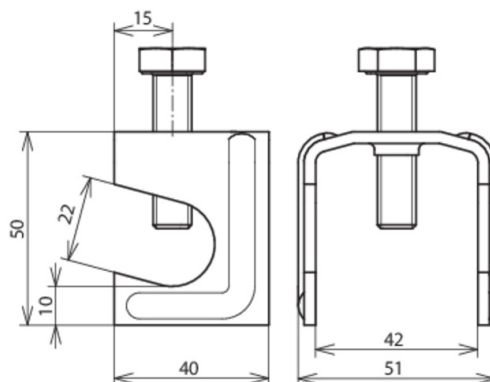


Figure without obligation



Type	308030 Connector for lightning protection (EC000514)
Part No.	308030 Connector for lightning protection (EC000514)
Material	St/bare
Clamping range Rd / FI	(+) 6-22 / 30-40 mm
Screw	☛ M10 x 40 mm
Material of screw	St/bare
Short-circuit current (50 Hz) (1 s; ≤ 300 °C)	1.0 kA
Standard	EN 62561-1
Weight	NaN
PU	

We reserve the right to introduce changes in performance, configuration and technology, dimensions, weights and materials in the course of technical progress. The figures are shown without obligation.