



## MVK 8.10 SKM10X30 FSC STTZN (390 550)

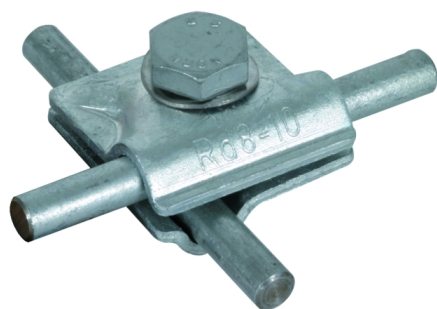
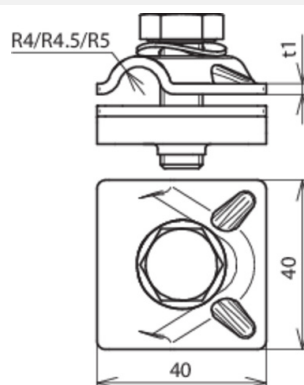


Figure without obligation



Type	MVK 8.10 SKM10X30 FSC STTZN
Part No.	390 550
Material	St/tZn
Clamping range Rd	8-10 mm
Material thickness (t1 / t2)	2.5 mm
Screw	M10 x 30 mm
Standard	EN 62561-1
Weight	101 g
Customs tariff number (Comb. Nomenclature EU)	85389099
GTIN	4013364096042
PU	50 pc(s)

We reserve the right to introduce changes in performance, configuration and technology, dimensions, weights and materials in the course of technical progress. The figures are shown without obligation.