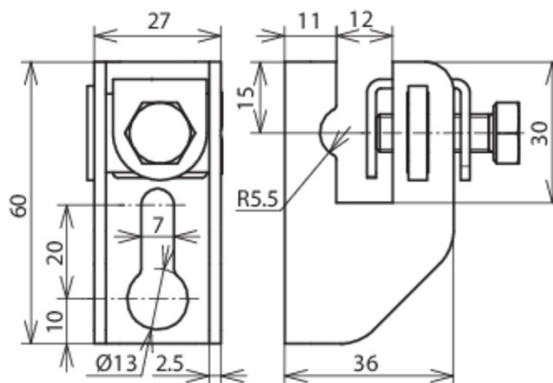


FRH 11 6.10 WA11 B7 V2A (277 239)



Figure without obligation



Type	FRH 11 6.10 WA11 B7 V2A
Part No.	277 239
Material of conductor holder	StSt
Wall distance	11 mm
Fixing	Ø13 and 7 x 20 mm
Klemmbereich Rd / Fl	6-10 / 11 mm
Slot width	12 mm
Screw	☛ M8 x 25 mm
Material of screw	StSt
Standard	EN 62561-4
Weight	117 g
Customs tariff number (Comb. Nomenclature EU)	85389099
GTIN	4013364111004
PU	25 pc(s)

We reserve the right to introduce changes in performance, configuration and technology, dimensions, weights and materials in the course of technical progress. The figures are shown without obligation.