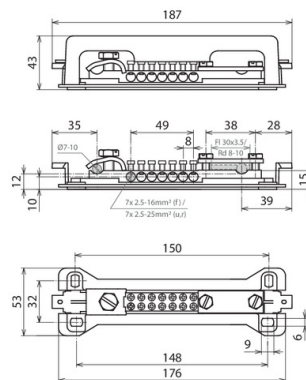


PAS 9AK (563 050)



Figure without obligation



Type	PAS 9AK
Part No.	563 050
Connection (solid u / stranded r / flexible f)	7 x 2.5-25 mm ² (conductor type u, r); 7 x 2.5-16 mm ² (conductor type f)
Connection Rd	1 x 7-10 mm ²
Connection FI / Rd	1 x -30 x 3.5 or 8-10 mm
Contact bar	brass
Cross section	35 mm ²
Fixing	[4x] 6 x 9 mm
Cover	K (grey)
Weight	226 g
Customs tariff number (Comb. Nomenclature EU)	85369010
GTIN	4013364054707
PU	1 pc(s)

We reserve the right to introduce changes in performance, configuration and technology, dimensions, weights and materials in the course of technical progress. The figures are shown without obligation.