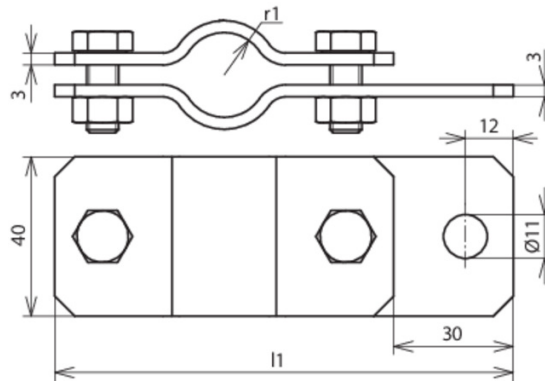




ERS 76 AB11 STTZN (410 212)



Figure without obligation



Type	ERS 76 AB11 STTZN
Part No.	410 212
Clamping range Ø pipe	76 mm (2 1/2")
Material	St/tZn
Bore Ø	11 mm
Screw	■● M8 x 20 mm
Material of screw / nut	St/tZn
Dimension (l1 x r1)	169 x 38 mm
Standard	EN 62561-1
Weight	402 g
Customs tariff number (Comb. Nomenclature EU)	85389099
GTIN	4013364026308
PU	1 pc(s)

We reserve the right to introduce changes in performance, configuration and technology, dimensions, weights and materials in the course of technical progress. The figures are shown without obligation.