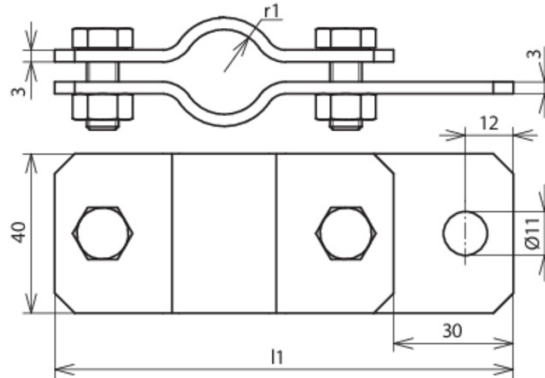




ERS 89 AB11 STTZN (410 300)



Figure without obligation



Type	ERS 89 AB11 STTZN
Part No.	410 300
Clamping range Ø pipe	89 mm (3")
Material	St/tZn
Bore Ø	11 mm
Screw	☛ M8 x 20 mm
Material of screw / nut	St/tZn
Dimension (l1 x r1)	182,5 x 44.5 mm
Standard	EN 62561-1
Weight	416 g
Customs tariff number (Comb. Nomenclature EU)	85389099
GTIN	4013364026315
PU	1 pc(s)

We reserve the right to introduce changes in performance, configuration and technology, dimensions, weights and materials in the course of technical progress. The figures are shown without obligation.