

DLSC 100 IP65 (599 100)

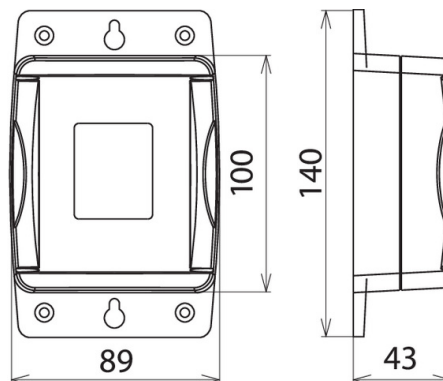


Figure without obligation

Counter for digital recording of impulse currents.

Device for installation preferably on down conductors of the lightning protection system or between equipotential bonding bar and earth-termination system.

Material for fastening on round or flat conductors is included in delivery.

Type	DLSC 100 IP65
Part No.	599 100
Operating current (8/20 μ s) (I_{tc})	1 kA
Max. discharge current (10/350 μ s) (I_{mcw})	100 kA
Clamping range Rd	8-10 mm
Clamping range FI	-30 mm
Number of occurrences	up to 999
Degree of protection	IP 65
Operating temperature range (T_U)	-20 °C ... +60 °C
Dimension (l x w x h)	140 x 90 x 43 mm
Weight	370 g
Customs tariff number (Comb. Nomenclature EU)	90291000
GTIN	4013364287402
PU	1 pc(s)

We reserve the right to introduce changes in performance, configuration and technology, dimensions, weights and materials in the course of technical progress. The figures are shown without obligation.