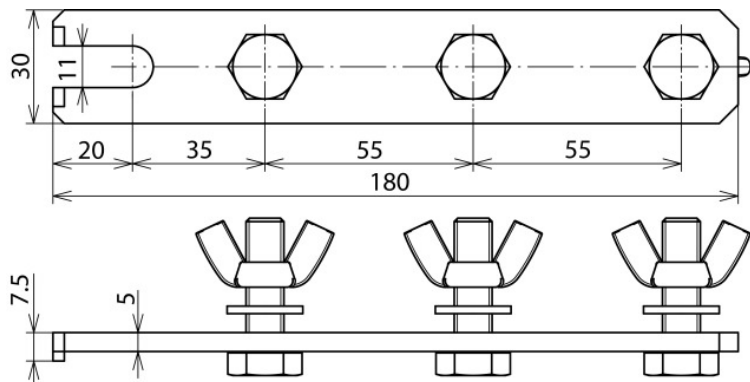


ESS 3P M10X35 STTZN (465 801)



Figure without obligation



Type	ESS 3P M10X35 STTZN
Part No.	465 801
Design	three-pole
Material of busbar	St/tZn
Length	181 mm
Screw	● M10 x 35 mm
Nut	wing nut M10
Material of screw / nut	StSt
Certification	according to VG 95 211
Certification document	K16/1 033
Weight	321 g
Customs tariff number (Comb. Nomenclature EU)	85369010
Stock No.	5940-12-156-8385
GTIN	4013364030091
PU	1 pc(s)

We reserve the right to introduce changes in performance, configuration and technology, dimensions, weights and materials in the course of technical progress. The figures are shown without obligation.

Packing in accordance with specifications of the VG standards has to be explicitly indicated when ordering.