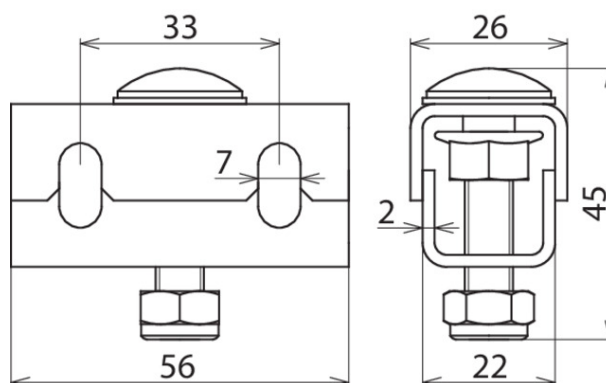


PAK 35 M8 EX KB ER (306 200)



Figure without obligation



Equipotential bonding clamp PAK for cable trays

- Connection only with ring equipotential bonding conductor 35 mm², Part No. 832 838 (tinned copper cable)
- For mounting on the perforated cable tray or on the equipotential bonding plate (PAP 1 / PAP 2)
- EB clamp to be mounted approx. every 0.5 m

Type	PAK 35 M8 EX KB ER
Part No.	306 200 <small>NEW</small>
Material	StSt
Connection to	PAP 1 EX KB ER or PAP 2 EX KB ER or cable tray or wide span cable tray
Clamping range (EB ring conductor)	35 mm ² , Cu/gal Sn
Screw	M8 x 40 mm
Material (screw / nut)	StSt
Material No.	1.4301
ASTM / AISI:	AISI 304
EX-zone	2/22
Short-circuit current AC (50 Hz / 5 s)	1.5 kA
Short-circuit current DC (5 s)	250 A
Weight	74 g
Customs tariff number (Comb. Nomenclature EU)	85369010
GTIN	4013364327368
PU	50 pc(s)

We reserve the right to introduce changes in performance, configuration and technology, dimensions, weights and materials in the course of technical progress. The figures are shown without obligation.