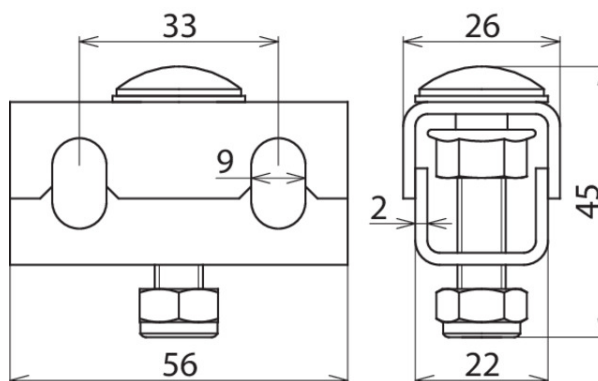


PAK 50 M8 EX KB ER (306 201)



Figure without obligation



EB clamp (PAK) cable tray

- Connection only with ring equipotential bonding conductor 50 mm², Part No. 832 839 (tinned copper cable)
- For mounting on the perforated cable tray or on the EB plate (PAP 1 / PAP 2)
- EB clamp to be mounted approx. every 0.5 m

| Type | PAK 50 M8 EX KB ER |
|---|--|
| Part No. | 306 201 <small>NEW</small> |
| Material | StSt |
| Connection to | PAP 1 EX KB ER or PAP 2 EX KB ER or cable tray or wide span cable tray |
| Clamping range (EB ring conductor) | 50 mm ² , Cu/gal Sn |
| Screw | M8 x 40 mm |
| Material (screw / nut) | StSt |
| Material No. | 1.4301 |
| ASTM / AISI: | AISI 304 |
| EX-zone | 2/22 |
| Weight | 74 g |
| Customs tariff number (Comb. Nomenclature EU) | 85369010 |
| GTIN | 4013364327375 |
| PU | 50 pc(s) |

We reserve the right to introduce changes in performance, configuration and technology, dimensions, weights and materials in the course of technical progress. The figures are shown without obligation.