

## SBD 60 PAK 35 EX ER (306 220)

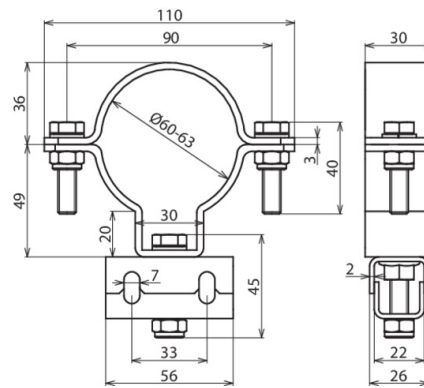


Figure without obligation

Equipotential bonding pipe clamp SBD 60 PAK 35

- Connection only with ring equipotential bonding conductor 35 mm<sup>2</sup>, Part No. 832 838 (tinned copper cable)
- For mounting on round pipe DN50 (60 mm)
- EB clamp to be mounted approx. every 0.5 m

| Type  | SBD 60 PAK 35 EX ER            |
|---|--------------------------------|
| Part No.                                      | 306 220 <small>NEW</small>     |
| Material                                      | StSt                           |
| Dimension                                     | Ø60 mm                         |
| Clamping range (EB ring conductor)            | 35 mm <sup>2</sup> , Cu/gal Sn |
| EX-zone                                       | 2/22                           |
| Weight  | 394 g                          |
| Customs tariff number (Comb. Nomenclature EU) | 85369010                       |
| GTIN  | 4013364327436                  |
| PU  | 50 pc(s)                       |

We reserve the right to introduce changes in performance, configuration and technology, dimensions, weights and materials in the course of technical progress. The figures are shown without obligation.