

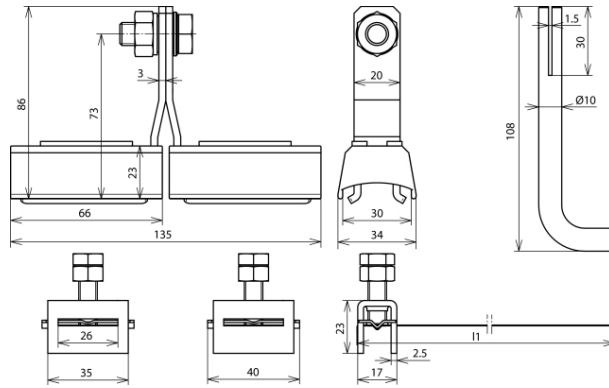
- For use in explosion-hazardous areas Ex zones 1 and 2 (gases, vapours, mists) as well as Ex zones 21 and 22 (dusts)
- Tested according to explosion group IIB
- Time-saving installation – no need to deactivate systems/areas for welding or drilling works



EX BRS 90 (540 801)



Figure without obligation



Type	EX BRS 90
Part No.	540 801
Lightning impulse current (10/350 µs) Cu (I_{imp})	50 kA
Lightning impulse current (10/350 µs) St/tZn (I_{imp})	50 kA
Lightning impulse current (10/350 µs) StSt (I_{imp})	25 kA
Class of lightning current carrying capability acc. to DIN EN 50164-1	N
Connection	M10
Clamping range pipe Ø	27-89 mm ($\frac{3}{4}$ -3")
Material of clamping body	polyamide
Material of grip head / tensioning strap	StSt
Material of contact piece	Cu/gal Sn
Dimension of tensioning strap (l1 x w x d)	410 x 25 x 0.3 mm
Design	UV stabilised
Standard	EN 62561-1
Weight	503 g
Customs tariff number (Comb. Nomenclature EU)	85389099
GTIN	4013364115460
PU	1 pc(s)

We reserve the right to introduce changes in performance, configuration and technology, dimensions, weights and materials in the course of technical progress. The figures are shown without obligation.

Environmental requirements related to the corrosion resistance of the materials used for the Ex pipe clamps Ex BRS ... (e.g. Cu/galSn, brass/galSn, StSt, polyamide) have to be taken into account.