

## SDS 4 (923 118)

- Electrical isolation of insulated track sections and earthed parts of installations
- Safe equipotential bonding due to high-current-resistant welding of the electrodes in case of a short-circuit or earth fault at the overhead contact line
- Discharge of surges without short-circuit formation



Figure without obligation

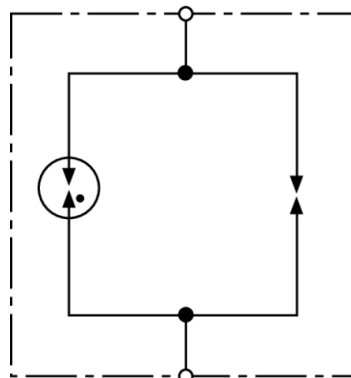


Figure without obligation

Basic circuit diagram SDS 4

Voltage limiting device for a d.c. sparkover voltage of 230 V.

Type	SDS 4
Part No.	923 118
VLD type (EN 50122-1)	VLD-F
d.c. sparkover voltage ( $U_{50}$ )	230 V +/- 20%
Impulse sparkover voltage	$\leq 650$ V (1 kV/ $\mu$ s)
Lightning current discharge capacity (10/350 $\mu$ s) 0.1x / 0.5x / 1x	2.5 kA
Lightning current withstand capability (10/350 $\mu$ s)	25 kA
Impulse current discharge capacity (8/20 $\mu$ s) 0.1x / 0.5x / 1x	20 kA
Safe short-circuit due to welding of the electrodes in case of direct currents	$\geq 600$ A / 250 ms
Short-circuit withstand capability	25 kA <sub>rms</sub> / 100 ms; 36 kA <sub>rms</sub> / 75 ms
Long-term current	1 kA <sub>rms</sub> for $t \leq 120$ s
Leakage current ( $I_{lc}$ )	$< 1$ $\mu$ A for 100 V d.c.
Operating temperature range ( $T_U$ )	-40 °C ... +80 °C
To be mounted with	mast adapter MA SDS M12 or SIEMENS No. 8WL6503-xx
Weight	38 g
Customs tariff number (Comb. Nomenclature EU)	85369095
GTIN	4013364104969
PU	10 pc(s)

We reserve the right to introduce changes in performance, configuration and technology, dimensions, weights and materials in the course of technical progress. The figures are shown without obligation.