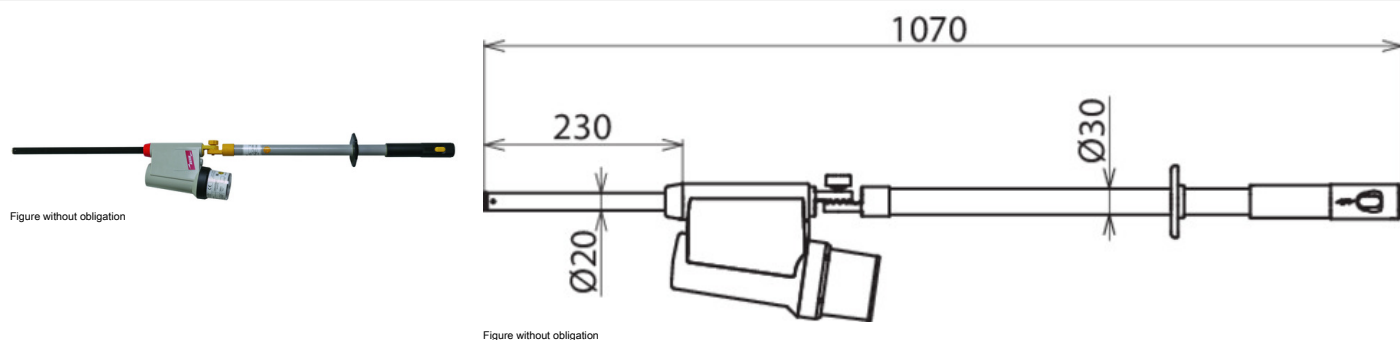


PHE4 6 S ZK (783 106)



| Type | PHE4 6 S ZK |
|---|--|
| Part No. | 783 106 |
| Nominal voltage (U _n) | 6 kV |
| Type of voltage | a.c. |
| Frequency | 50 Hz |
| Category | S |
| Total length (l _G) | 1070 mm |
| Insertion depth (l _o) | 230 mm |
| Length (handle) (l _H) | 265 mm |
| Standard | EN/IEC 61243-1 (DIN VDE 0682-411) |
| Temperature range | -25 °C ... +70 °C, climatic category N and W |
| Design | Complete |
| For use in wet weather conditions | Yes |
| For | Indoor and outdoor installations |
| Application | Switchgear installations and overhead lines |
| Design | Single-pole |
| Indication | Acoustic and visual |
| Sound level | > 67 dB(A) (visual indication and intermittent sound signal) |
| Self-testing element *) | Yes |
| Battery | Lithium AA 1.5 Volt |
| Material (test electrode) | Copper alloy/gal Sn |
| Material (test prod) | Glass-fibre reinforced epoxy resin tube |
| Material (indicator) | Plastic, fully insulated |
| Material (insulating stick) | Glass-fibre reinforced polyester tube |
| Diameter (insulating stick) | 30 mm |
| Weight | 1,27 kg |
| Customs tariff number (Comb. Nomenclature EU) | 90303330 |
| GTIN | 4013364317260 |
| PU | 1 pc(s) |

*) all circuits including test prod

We reserve the right to introduce changes in performance, configuration and technology, dimensions, weights and materials in the course of technical progress. The figures are shown without obligation.