

## PHE3S2 60 132 SL (767 982)

- Transport case included



Figure without obligation

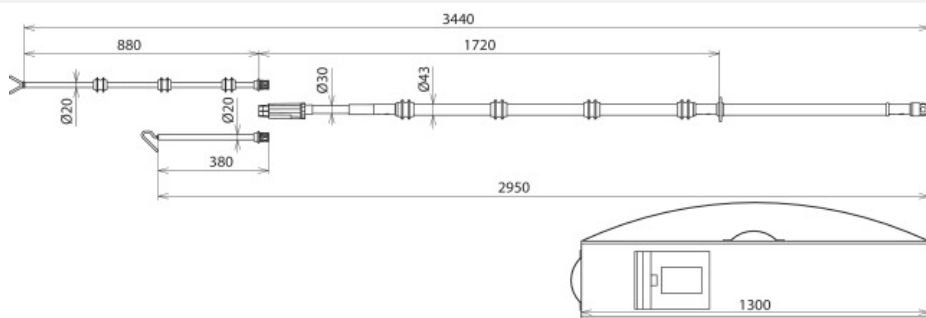


Figure without obligation

| Type  | PHE3S2 60 132 SL  |
|---|---|
| Part No.                                      | 767 982   |
| Nominal voltage (U <sub>N</sub> )             | 60 ... 132 kV   |
| Type of voltage                               | a.c.  |
| Frequency                                     | 50 Hz   |
| Category                                      | S / L   |
| Total length (l <sub>0</sub> )                | 3440 / 2950 mm  |
| Insertion depth (l <sub>0</sub> )             | 880 / 380 mm  |
| Standard                                      | EN/IEC 61243-1 (DIN VDE 0682-411)                             |
| Temperature range                             | -25 °C ... +55 °C, climatic category N                        |
| Design  | Complete  |
| For use at                                    | ▲   |
| For   | Indoor and outdoor installations                              |
| Application                                   | Switchgear installations and overhead lines or overhead lines |
| Design  | Single-pole   |
| Indication                                    | Acoustic and visual   |
| Self-testing element                          | Yes   |
| Material (test electrode)                     | Copper alloy/gal Sn   |
| Material (test prod)                          | Glass-fibre reinforced epoxy resin tube                       |
| Material (indicator)                          | Plastic, fully insulated                                      |
| Material (insulating stick)                   | Glass-fibre reinforced polyester tube                         |
| Weight  | 7,4 kg  |
| Customs tariff number (Comb. Nomenclature EU) | 90303330  |
| GTIN  | 4013364125841   |
| PU  | 1 pc(s)   |

We reserve the right to introduce changes in performance, configuration and technology, dimensions, weights and materials in the course of technical progress. The figures are shown without obligation.