

PHE3S 30 60 L (767 975)

- Transport case included



Figure without obligation

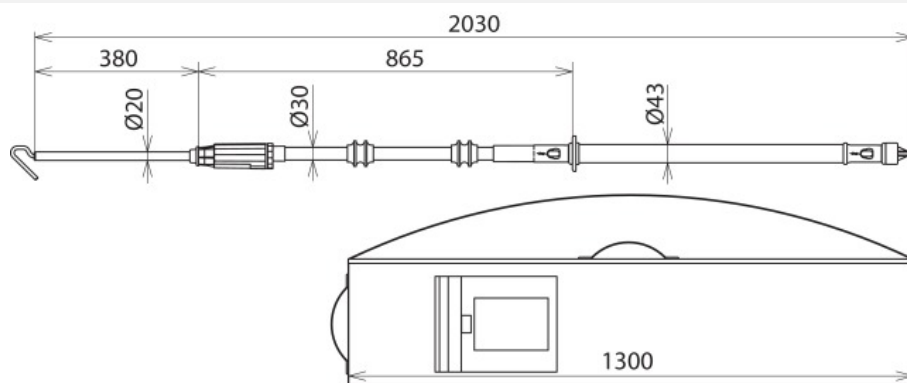


Figure without obligation

Type	PHE3S 30 60 L
Part No.	767 975
Nominal voltage (U _N)	30 ... 60 kV
Type of voltage	a.c.
Frequency	50 Hz
Category	L
Total length (l ₀)	2030 mm
Insertion depth (l ₀)	380 mm
Standard	EN/IEC 61243-1 (DIN VDE 0682-411)
Temperature range	-25 °C ... +55 °C, climatic category N
Design	Complete
For use at	
For	Indoor and outdoor installations
Application	Overhead lines
Design	Single-pole
Indication	Acoustic and visual
Self-testing element	Yes
Material (test electrode)	Copper alloy/gal Sn
Material (test prod)	Glass-fibre reinforced epoxy resin tube
Material (indicator)	Plastic, fully insulated
Material (insulating stick)	Glass-fibre reinforced polyester tube
Weight	5,42 kg
Customs tariff number (Comb. Nomenclature EU)	90303330
GTIN	4013364143708
PU	1 pc(s)

We reserve the right to introduce changes in performance, configuration and technology, dimensions, weights and materials in the course of technical progress. The figures are shown without obligation.