

## PHEG2.P SN7517 (767 671)



Figure without obligation

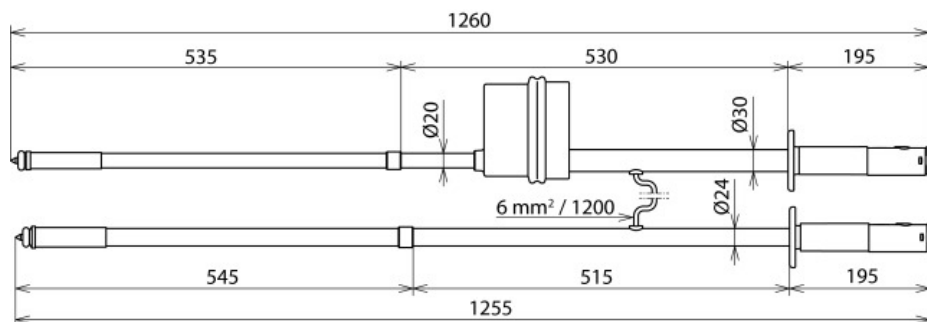


Figure without obligation

| Type  | PHEG2.P SN7517                             |
|---|--|
| Part No.  | 767 671                                    |
| Threshold voltage (U <sub>t</sub> )                 | 90 V                                       |
| Nominal voltage (U <sub>N</sub> )                   | 1 ... 24 kV                                |
| Type of voltage                                     | d.c.                                       |
| Length (indicator with test prod) (l <sub>s</sub> ) | 765 mm                                     |
| Length (insulating stick) (l <sub>i</sub> )         | 495 mm                                     |
| Length (connecting cable)                           | 1200 mm                                    |
| Total length (l <sub>c</sub> )                      | 1260 mm                                    |
| Insertion depth (l <sub>o</sub> )                   | 545 mm                                     |
| Standard  | Based on EN/IEC 61243-1 (DIN VDE 0682-411) |
| Temperature range                                   | -25 °C ... +55 °C, climatic category N     |
| For use at  |  |
| For   | Indoor and outdoor installations           |
| Application   | Switchgear installations                   |
| Design  | Two-pole                                   |
| Indication  | Visual                                     |
| Self-testing element                                | Yes  |
| Material (test electrode)                           | Copper alloy/gal Sn                        |
| Material (test prod)                                | Glass-fibre reinforced polyester tube      |
| Material (indicator)                                | Plastic, fully insulated                   |
| Material (insulating stick)                         | Glass-fibre reinforced polyester tube      |
| Material (connecting cable)                         | Highly flexible copper cable               |
| Weight  | 2,6 kg                                     |
| Customs tariff number (Comb. Nomenclature EU)       | 90303330                                   |
| GTIN  | 4013364156807                              |
| PU  | 1 pc(s)                                    |

We reserve the right to introduce changes in performance, configuration and technology, dimensions, weights and materials in the course of technical progress. The figures are shown without obligation.