

**AK 25 ESH STK SN7361 (766 372)**



Figure without obligation

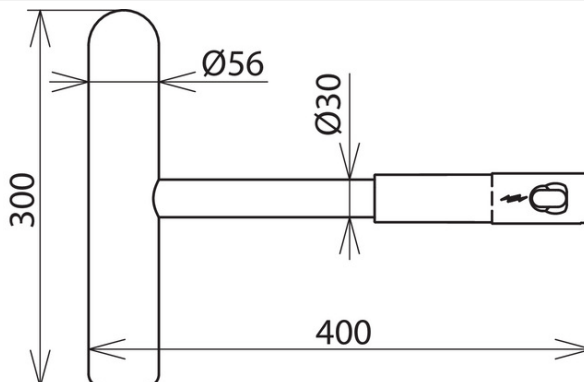


Figure without obligation

Operating head (hammer) with plug-in coupling

<b>Type</b>	<b>AK 25 ESH STK SN7361</b>
<b>Part No.</b>	<b>766 372</b>
Nominal voltage (U <sub>N</sub> )	1 ... 25 kV
Frequency	50 and 16.7 Hz
Total length (l <sub>Σ</sub> )	400 mm
Dimensions (operating head)	300 x 56 mm
Standard (operating head)	Based on DIN VDE 0682 - 411 and DIN VDE 0681 - 1
For use at	▲
Material (handle)	Glass-fibre reinforced polyester tube
Weight	1,24 kg
Customs tariff number (Comb. Nomenclature EU)	85389099
GTIN	4013364139916
PU	1 pc(s)

We reserve the right to introduce changes in performance, configuration and technology, dimensions, weights and materials in the course of technical progress. The figures are shown without obligation.