

Template

for Insulating Protective Shutters for Switchgear Installations with Voltages up to 36 kV, acc. to DIN VDE 0682-552 – Material: Rigid PVC



Customer:

Customer No.:			
Company:			
Address:			
Address, Country:			
Contact:			
Phone / fax:		E-Mail:	
<input type="checkbox"/> Enquiry:	<input type="checkbox"/> Order:	Quantity:	pc(s) Signature:

1 Switchgear installation:

Type:	Rated voltage:
-------	----------------

ISP

/

for internal use only, please do not fill in

2 Remark:

--	--

Created / released by:	Signature:
	Date:

3 Recorded by:

for internal use only, please do not fill in	Name:
	Date:

Person in charge:

Dept.	Name	Date	Remark
Sales			
Purchasing			

4 Confirmation of delivery:

The protective shutter(s) has/have been delivered to the above mentioned customer according to the information stated in the template on _____ (date). This delivery has been subject to random tests in accordance with DIN VDE 0682, Part 552.

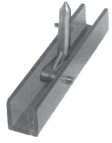
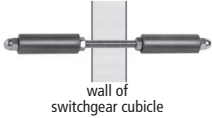
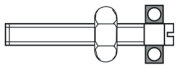
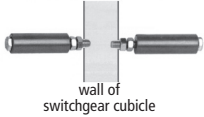

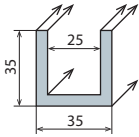



Place, Date	Stamp / Signature

Template

for Insulating Protective Shutters for Switchgear Installations with Voltages up to 36 kV, acc. to DIN VDE 0682-552 – Material: Rigid PVC



Accessories:

<input type="checkbox"/> Bayonet pin Part No.: 9040 Quantity: _____ pc(s).		<input type="checkbox"/> Bearing pins Part No.: 9010 Quantity: _____ pc(s).	 <p>wall of switchgear cubicle</p>
<input type="checkbox"/> Ball bearing Part No.: 9041 Quantity: _____ pc(s).		<input type="checkbox"/> Bearing pins Part No.: 9020 Quantity: _____ pc(s).	 <p>wall of switchgear cubicle</p>
<input type="checkbox"/> Handle Part No.: 9050 Quantity: _____ pc(s).		<input type="checkbox"/> Guide rails Part No.: 9030 Quantity: _____ mm	
<input type="checkbox"/> Keyhole Part No.: 9070 Quantity: _____ pc(s).		<input type="checkbox"/> Magnet holder Part No.: 9060 Quantity: _____ pc(s).	
<input type="checkbox"/> 45° angled swivelling eye Part No.: 9080 Quantity: _____ pc(s).			

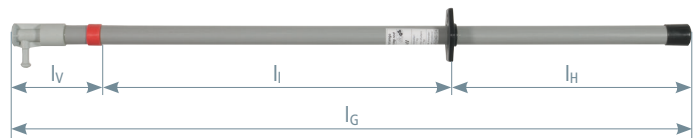
IS insulating stick – T pin shaft

For rotatable shutters with bayonet pin.
For use as operating stick.



SCS switching stick

For rotatable shutters with longitudinal hole.
For use as operating stick.



Nominal voltage	l_G	l_i	l_H	l_v	Part No. of insulating stick	Part No. of switching stick	Part No. of operating stick kit
up to 36 kV	1028 mm	525 mm	350 mm	140 mm	<input type="checkbox"/> 766 311		
up to 36 kV	1528 mm	525 mm	500 mm	490 mm	<input type="checkbox"/> 766 315		
up to 36 kV	1030 mm	525 mm	370 mm	115 mm		<input type="checkbox"/> 763 610	
up to 36 kV	1500 mm	525 mm	550 mm	395 mm		<input type="checkbox"/> 763 611	
up to 36 kV	2000 mm	525 mm	700 mm	745 mm		<input type="checkbox"/> 763 612	
up to 36 kV		525 mm	560 mm				<input type="checkbox"/> 766 452