

## KFP 20 W45 M16 (706 600)

- Female thread (not cut)



Figure without obligation

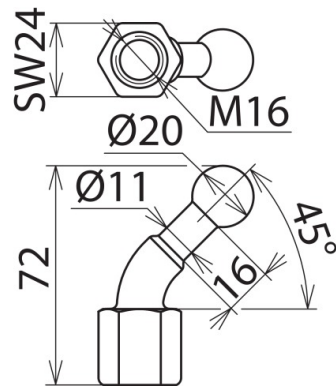


Figure without obligation

| Type  | KFP 20 W45 M16   |
|---|--|
| Part No.  | 706 600  |
| Fixed ball point Ø                              | 20 mm  |
| Dimensions                                      | M16  |
| Wrench size                                     | 24 mm  |
| Max. cable cross-section Cu                     | 70 mm <sup>2</sup>                                       |
| Max. short-circuit current I <sub>k</sub> 0.5 s | 19.5 kA  |
| Max. short-circuit current I <sub>k</sub> 1 s   | 13.8 kA  |
| Standard  | EN/IEC 61230 (DIN VDE 0683-100) and based on DIN 48088-1 |
| Material (fixed ball point)                     | E-Cu/gal Sn  |
| Weight  | 158 g  |
| Customs tariff number (Comb. Nomenclature EU)   | 85389099   |
| GTIN  | 4013364004283  |
| PU  | 1 pc(s)  |

We reserve the right to introduce changes in performance, configuration and technology, dimensions, weights and materials in the course of technical progress. The figures are shown without obligation.