

## KFP 25 W45 M16 (756 600)

- Female thread (not cut)



Figure without obligation

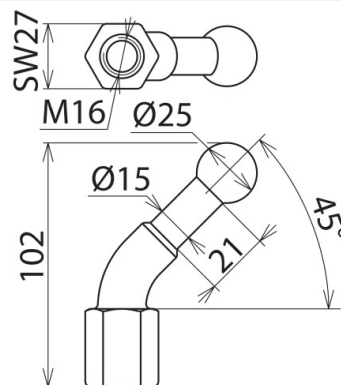


Figure without obligation

Type	KFP 25 W45 M16
Part No.	756 600
Fixed ball point Ø	25 mm
Dimensions	M16
Wrench size	27 mm
Max. cable cross-section Cu	95 mm <sup>2</sup>
Max. short-circuit current I <sub>k</sub> 0.5 s	26.5 kA
Max. short-circuit current I <sub>k</sub> 1 s	18.7 kA
Standard	EN/IEC 61230 (DIN VDE 0683-100) and based on DIN 48088-1
Material (fixed ball point)	E-Cu/gal Sn
Weight	356 g
Customs tariff number (Comb. Nomenclature EU)	85389099
GTIN	4013364004320
PU	1 pc(s)

We reserve the right to introduce changes in performance, configuration and technology, dimensions, weights and materials in the course of technical progress. The figures are shown without obligation.