

KFP 25 W90 M12 (757 200)

- Female thread (not cut)



Figure without obligation

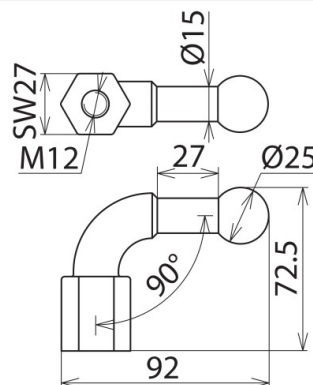


Figure without obligation

| Type | KFP 25 W90 M12 |
|---|--|
| Part No. | 757 200 |
| Fixed ball point Ø | 25 mm |
| Dimensions | M12 |
| Wrench size | 27 mm |
| Max. cable cross-section Cu | 95 mm ² |
| Max. short-circuit current I _k 0.5 s | 26.5 kA |
| Max. short-circuit current I _k 1 s | 18.7 kA |
| Standard | EN/IEC 61230 (DIN VDE 0683-100) and based on DIN 48088-1 |
| Material (fixed ball point) | E-Cu/gal Sn |
| Weight | 395 g |
| Customs tariff number (Comb. Nomenclature EU) | 85389099 |
| GTIN | 4013364004405 |
| PU | 1 pc(s) |

We reserve the right to introduce changes in performance, configuration and technology, dimensions, weights and materials in the course of technical progress. The figures are shown without obligation.