

EAPA 3 KFP 20 B13 (728 522)



Figure without obligation

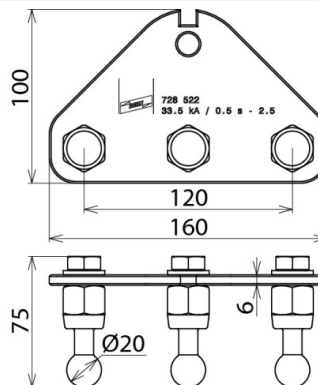


Figure without obligation

Type	EAPA 3 KFP 20 B13
Part No.	728 522
Fixed point Ø	20 mm
Max. cable cross-section Cu	120 mm ²
Max. short-circuit current I _k 0.5 s	33.5 kA
Max. short-circuit current I _k 1 s	23.7 kA
Standard	EN/IEC 61230 (DIN VDE 0683-100) and fixed points in accordance with DIN 48088-1
Material (plate)	Aluminium
Material (fixed point)	E-Cu/gal Sn
Material (threaded pin)	StSt A2-70
Weight	676 g
Customs tariff number (Comb. Nomenclature EU)	85389099
GTIN	4013364147874
PU	1 pc(s)

We reserve the right to introduce changes in performance, configuration and technology, dimensions, weights and materials in the course of technical progress. The figures are shown without obligation.