

EAP 2 25 MA US OL (728 502)

- For connecting single-pole earthing and short-circuiting devices to transformers of overhead line towers or to fuse holders

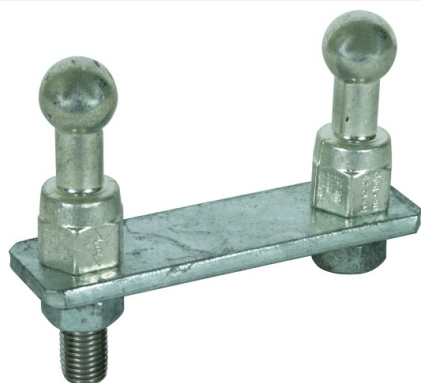


Figure without obligation

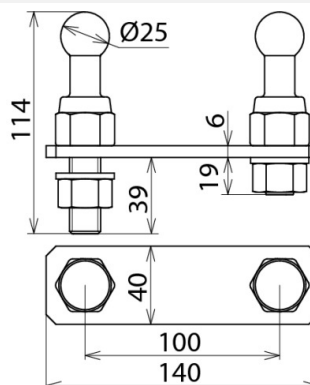


Figure without obligation

Type	EAP 2 25 MA US OL
Part No.	728 502
Fixed point Ø	25 mm
Dimension	140 x 40 x 6 mm
DB drawing No.	3 Ebgw 01.61
DB material No.	157 548
Standard	EN/IEC 61230 (DIN VDE 0683-100) and DIN 48088-1
Material (terminal lug)	St / tZn
Material (fixed point)	E-Cu/gal Sn
Material (threaded pin)	StSt A2-70
Weight	708 g
Customs tariff number (Comb. Nomenclature EU)	85389099
GTIN	4013364079571
PU	1 pc(s)

We reserve the right to introduce changes in performance, configuration and technology, dimensions, weights and materials in the course of technical progress. The figures are shown without obligation.