

PSK 10 32 SQL (784 032)

- For connecting the phase cables of single-pole and three-pole earthing and short-circuiting devices to the overhead line
- PK2 anti-rotation element and long threaded T pin shaft

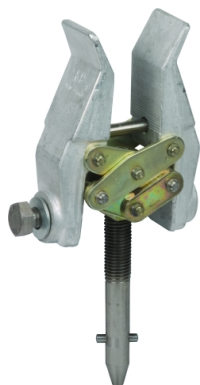


Figure without obligation

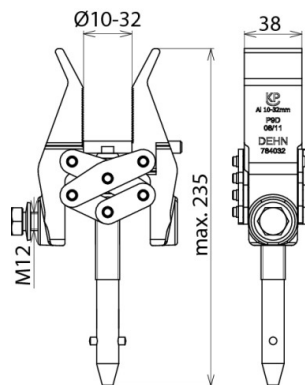


Figure without obligation

Type	PSK 10 32 SQL
Part No.	784 032
Clamping range Ø	10 ... 32 mm
Anti-rotation element	PK2
For cable cross-section Cu	16 ... 95 mm ²
Max. short-circuit current I _k 0.5 s	18.7 kA
Max. short-circuit current I _k 1 s	18.7 kA
Standard	EN/IEC 61230 (DIN VDE 0683-100), threaded T pin shaft DIN 48087
Temperature range	-25 °C ... +55 °C
Material (pressure plate)	Aluminium alloy
Material (clamp body)	Aluminium alloy
Material (shaft)	StSt
Weight	969 g
Customs tariff number (Comb. Nomenclature EU)	85389099
GTIN	4013364018679
PU	1 pc(s)

We reserve the right to introduce changes in performance, configuration and technology, dimensions, weights and materials in the course of technical progress. The figures are shown without obligation.

The clamps must have the same maximum short-circuit current as the earthing and short-circuiting cables!