

## KKH 20 SK (772 310)

- Earthing and short-circuiting devices can be configured online via the earthing and short-circuiting configurator



Figure without obligation

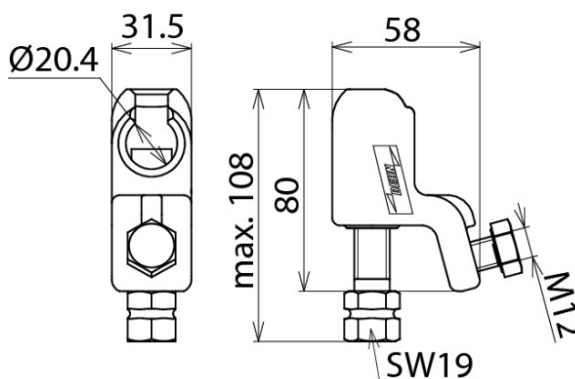


Figure without obligation

Type	KKH 20 SK
<b>Part No.</b>	<b>772 310</b>
For fixed ball point Ø	20 mm
Anti-rotation element	PK1
For cable cross-section Cu	16 ... 120 mm <sup>2</sup>
Max. short-circuit current I <sub>k</sub> 0.5 s	33.5 kA
Max. short-circuit current I <sub>k</sub> 1 s	23.7 kA
Standard	EN/IEC 61230 (DIN VDE 0683-100)
Temperature range	-25 °C ... +55 °C
Material (clamp body)	Copper alloy/gal Sn
Material (shaft)	Copper alloy/gal Sn
Material (pressure plate)	Copper alloy/gal Sn
Weight	469 g
Customs tariff number (Comb. Nomenclature EU)	85389099
GTIN	4013364057593
PU	1 pc(s)

We reserve the right to introduce changes in performance, configuration and technology, dimensions, weights and materials in the course of technical progress. The figures are shown without obligation.

**The clamps must have the same maximum short-circuit current as the earthing and short-circuiting cables!**